

Date:	Project:	Notes:
-------	----------	--------

LED PL TYPE B OMNI-DIRECTION

6W LED, equivalent to 13 or 18W CFL

360° Omni-directional configuration, suitable for both horizontal and vertical applications

For totally enclosed fixtures



120-277V AC, need bypass the ballast

Super slim profile easily fit any fixtures

UL approved for damp locations

Non dimmable



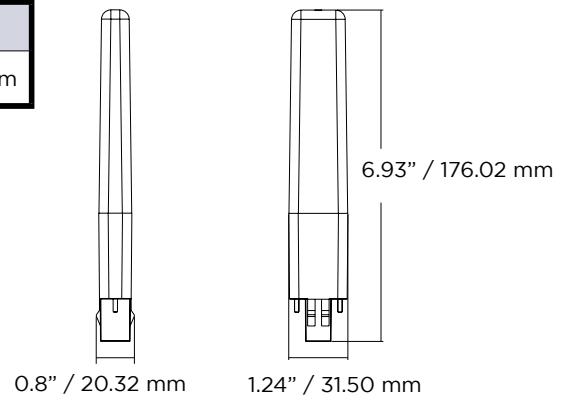
ORDERING GUIDE

Example: 6PL01GX23LED30

Wattage	Type	Base	Voltage	CCT
<ul style="list-style-type: none"> • 6PL 6W(600LM) 	<ul style="list-style-type: none"> • 01 Type B 	<ul style="list-style-type: none"> • GX23 	<ul style="list-style-type: none"> • LED 120-277V 	<ul style="list-style-type: none"> • 27 2700K • 30 3000K • 40 4000K • 50 5000K

DIMENSIONS

Model	Length (L)	Width (W)	Height (A)
6PL01GX23LED30	6.93" / 176.02 mm	1.24" / 31.50 mm	0.80" / 20.32 mm



© 2025 Legental. All rights reserved. This document is for informational purposes only. No part of this publication may be reproduced, in whole or in part, without prior written permission from Legental. While the information provided is believed to be accurate and reliable, it is subject to change without notice and does not constitute part of any contract or quotation. Legental assumes no responsibility for any consequences resulting from the use of this information and reserves the right to modify product specifications at any time without prior notice.

Legental
Ph: 281-965-5791

